



Timothy Hayden, Director  
Roberta L. Baker, Procurement Officer

**CALVERT COUNTY  
DEPARTMENT OF FINANCE & BUDGET  
PROCUREMENT OFFICE**

150 Main Street, Suite 107  
Prince Frederick, Maryland 20678  
410-535-1600 • 301-855-1243  
www.calvertcountymd.gov

*Board of Commissioners*  
Earl F. Hance  
Mike Hart  
Thomas E. Hutchins  
Kelly D. McConkey  
Steven R. Weems

May 17, 2019

**ADDENDUM NO. 7**

Board of County Commissioners

ITB 2019-095  
Demolition and Construction  
Prince Frederick Volunteer Fire Department (Company 2)  
Prince Frederick, Calvert County, Maryland

To Prospective Bidders:

Following is an addendum to the referenced specifications. Please acknowledge receipt of this addendum by executing the signature block provided below. This signed addendum should be included with your proposal. Failure to do so may subject bidder to disqualification. This Addendum forms a part of the specifications and supplements and modifies them as indicated below:

**Specification**

**04 30 00-5, 2.3, B.**

Revise reference

From: "...including but not limited to split-face, ground-face, and ~~double ground and polished (Trendstone Plus)~~ units."

to: "...including but not limited to split-face, and ground-face units."

**Section 12 22 00**

Replace specification section with provided section. Flat Roman window shading with blackout material to be provided instead of curtain with rod.

**Drawings**

**A1.03**

Drawing 3: Revise Annotation from "~~Vinyl Blind~~" to "Metal Blind"

CONTRACTOR'S LEGAL BUSINESS NAME: \_\_\_\_\_

AUTHORIZED SIGNATURE: \_\_\_\_\_ DATE: \_\_\_\_\_

Mailing Address: 175 Main Street, Prince Frederick, Maryland 20678  
Maryland Relay for Impaired Hearing or Speech: 1-800-735-2258

**Drawings** (continued)

**A2.01**

Revised Materials Legend

Revised material note on 2/A2.01

**A6.02**

Revise Drawing 1 Note 1: "ALL WINDOWS TO RECEIVE METAL BLINDS".

**A6.03**

All References to "SEC-1" shall be relabeled "SLC-1"

Finish schedule - Custodial closet 114 and 223 to receive WP-1 on all walls to 48"A.F.F.

**S1.01 & S1.01A**

Revised Note 1 Under "Notes." See SK7.2.

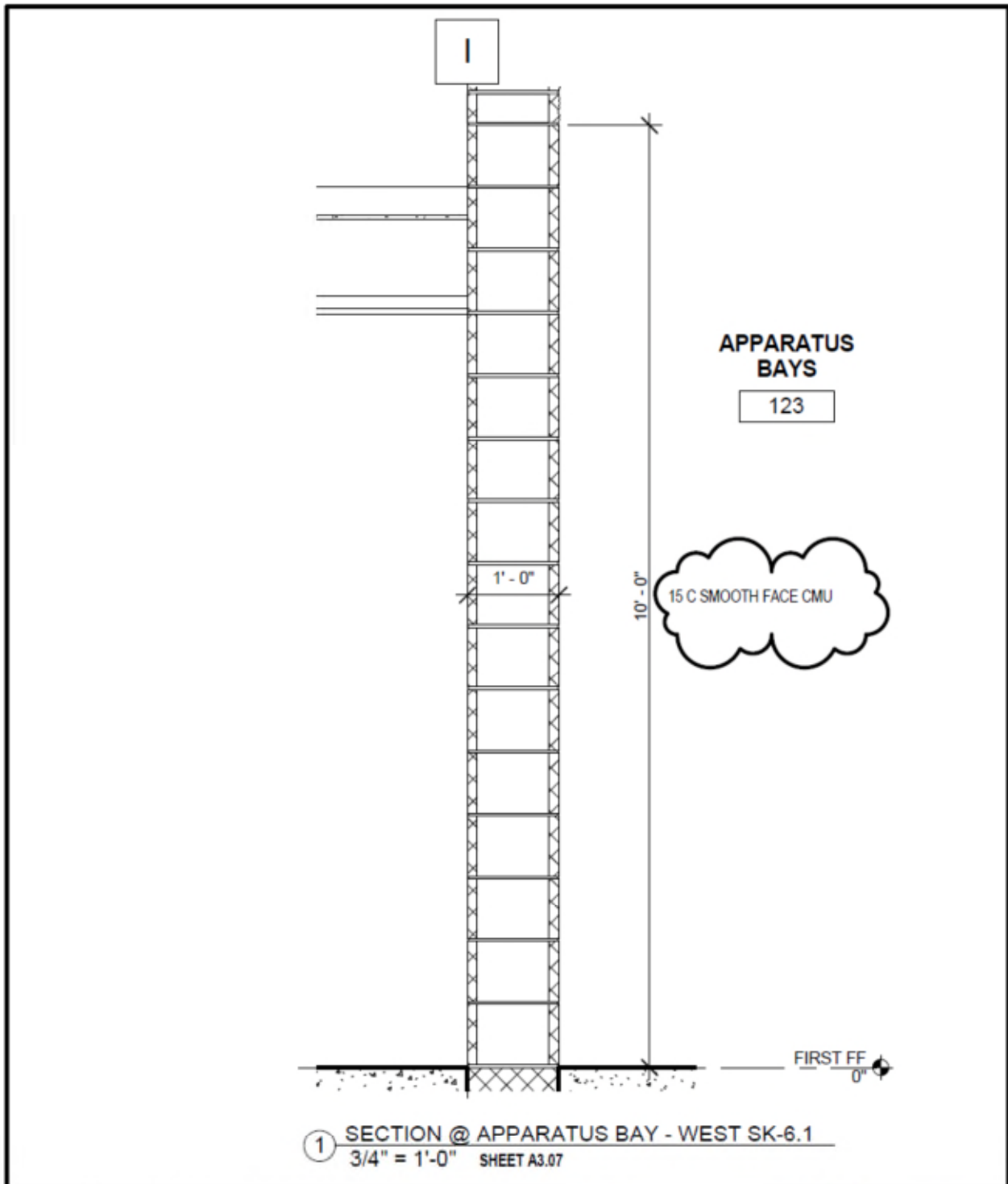
Revised Pedestal Detail 2&3/S1.01. See SK7.4

**S7.01**

Revised pier schedule. See SK7.3

CONTRACTOR'S LEGAL BUSINESS NAME: \_\_\_\_\_

AUTHORIZED SIGNATURE: \_\_\_\_\_ DATE: \_\_\_\_\_



<b>Bignell Watkins Hasser</b> ARCHITECTS P.C. Annapolis, MD	<b>ADDENDUM 7 - SK7.1</b>		Project No: 17032
	<b>PRINCE FREDERICK VOLUNTEER FIRE STATION</b>		Date: 5/15/19
			SCALE: 3/4" = 1'-0"
			SK-7.1

CONTRACTOR'S LEGAL BUSINESS NAME: \_\_\_\_\_

AUTHORIZED SIGNATURE: \_\_\_\_\_ DATE: \_\_\_\_\_

NOTES:

1. CONSTRUCTION

- A. 4" SOG: 4" THICK CONCRETE SLAB ON GRADE REINFORCED w/ 6x6-W2.9xW2.9 WWR  
PLACE SOG OVER A 10 MIL VAPOR RETARDER AND 4" STONE BASE
- B. 6" SOG: 6" THICK CONCRETE SLAB ON GRADE w/ 6x6-W2.9xW2.9 WWR  
PLACE SLAB ON GRADE OVER A 10 MIL VAPOR RETARDER AND 4" STONE BASE
- C. 8" SOG: 8" THICK CONCRETE SLAB ON GRADE w/ #5@12" E.W.  
PLACE SOG OVER A 10 MIL VAPOR RETARDER AND 4" STONE BASE

REVISIONS AND ADDITIONS TO REINFORCEMENT  
NOTES ON S1.01 AND S1.01A

<b>Bignell</b>	<b>Watkins</b>	<b>Hasser</b>
ARCHITECTS P.C.		
Annapolis, MD		

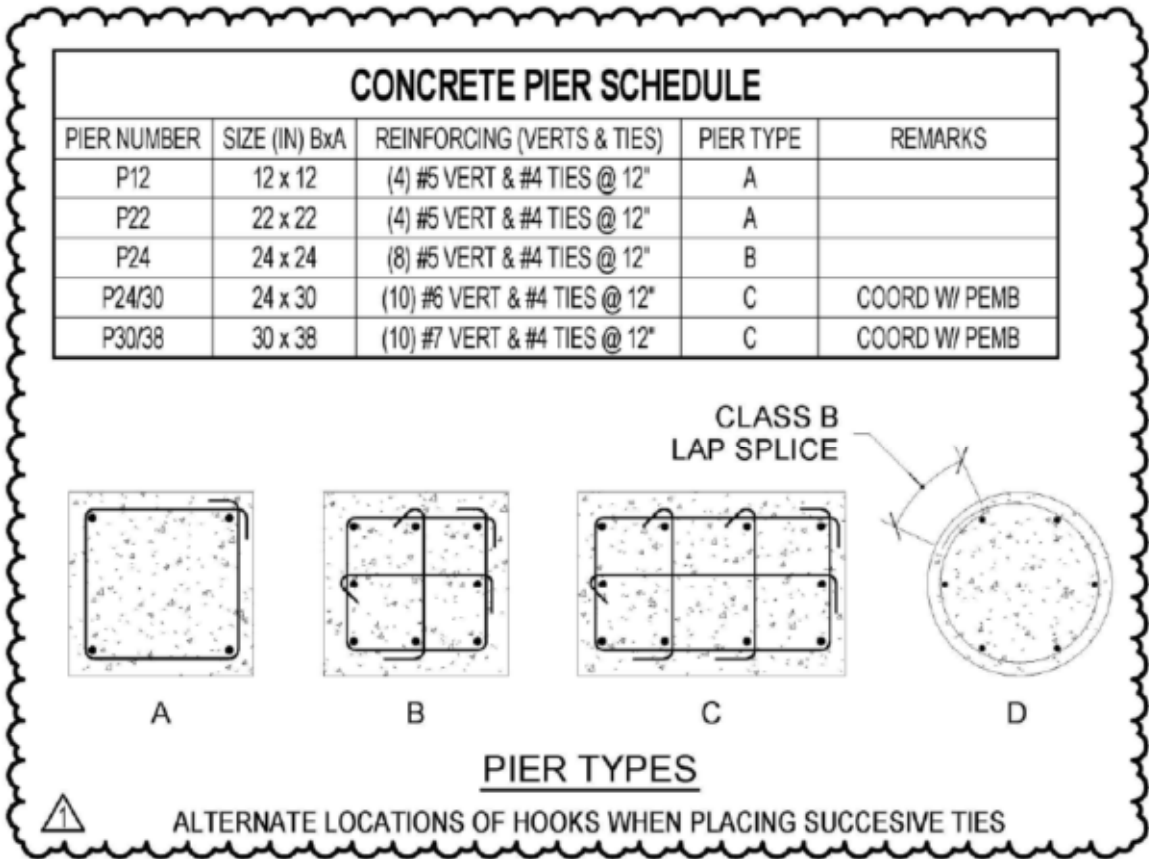
**ADDENDUM 7 - SK7.2**

**PRINCE FREDERICK VOLUNTEER  
FIRE STATION**

Project No:	17032
Date:	5/15/19
SCALE:	
	SK-7.2

CONTRACTOR'S LEGAL BUSINESS NAME: \_\_\_\_\_

AUTHORIZED SIGNATURE: \_\_\_\_\_ DATE: \_\_\_\_\_



**Bignell Watkins Hasser**  
ARCHITECTS P.C.  
Annapolis, MD

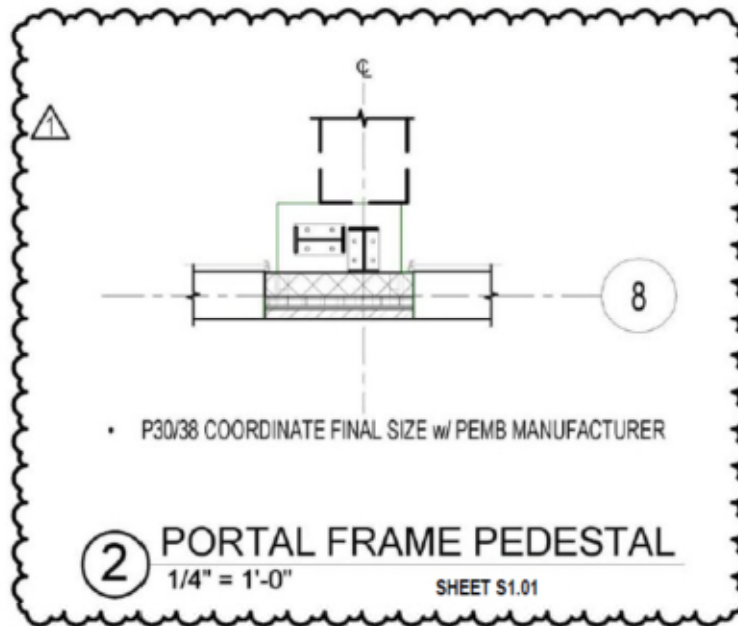
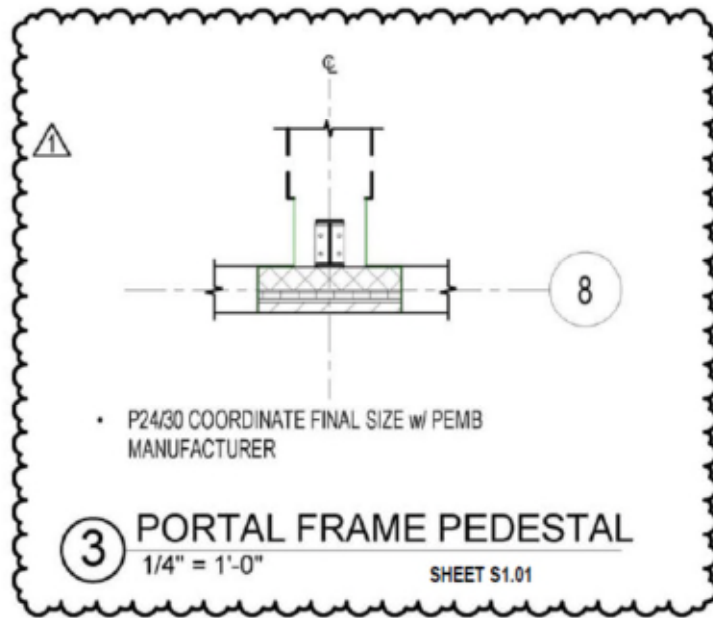
**ADDENDUM 7 - SK7.3**

**PRINCE FREDERICK VOLUNTEER  
FIRE STATION**

Project No:	17032
Date:	5/15/19
SCALE:	
	SK-7.3

CONTRACTOR'S LEGAL BUSINESS NAME: \_\_\_\_\_

AUTHORIZED SIGNATURE: \_\_\_\_\_ DATE: \_\_\_\_\_



**Bignell Watkins Hasser**  
 ARCHITECTS P.C.  
 Annapolis, MD

**ADDENDUM 7 - SK7.4**  
**PRINCE FREDERICK VOLUNTEER  
 FIRE STATION**

Project No: 17032  
 Date: 5/15/19  
 SCALE:  
 SK-7.4

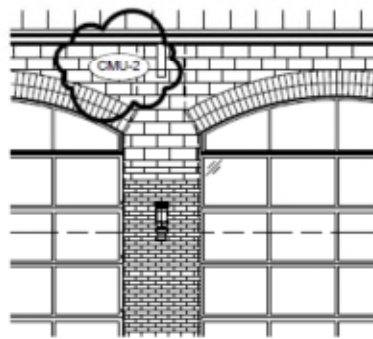
CONTRACTOR'S LEGAL BUSINESS NAME: \_\_\_\_\_

AUTHORIZED SIGNATURE: \_\_\_\_\_ DATE: \_\_\_\_\_



EXTERIOR MASONRY PACKAGES					
	KEY	MATERIAL	SPECIFICATION	COLOR	SIZE
PACKAGE 1	B-1	BRICK VENEER	BOWERSTON - CANYON BLEND FULL RANGE R/T	CANYON BLEND - FULL RANGE	MODULAR 2 1/4" (H) X 7 5/8" (L) X 3 5/8" (D)
	CMU-1	ARCHITECTURAL BLOCK	WESTBROOK CONCRETE BLOCK - GF82	BUFF	7 5/8"(H) X 15 5/8" (L) X 3 5/8" (D)
	CMU-2	ARCHITECTURAL BLOCK	WESTBROOK CONCRETE BLOCK - SF82	BUFF	7 5/8"(H) X 15 5/8" (L) X 3 5/8" (D)
	CMU-3	ARCHITECTURAL BLOCK	WESTBROOK CONCRETE BLOCK - SF82	BUFF	3 5/8"(H) X 23 5/8" (L) X 3 5/8" (D)
	CMU-4	ARCHITECTURAL BLOCK	WESTBROOK CONCRETE BLOCK - GF82	BUFF	3 5/8"(H) X 23 5/8" (L) X 3 5/8" (D)
	CMU-5	ARCHITECTURAL BLOCK	WESTBROOK CONCRETE BLOCK - GF82	BUFF	2 1/4"(H) X 7 5/8" (L) X 3 5/8" (D)
PACKAGE 2	B-1	BRICK VENEER	MERIDIAN BRICK OLD LEXINGTON- COLUMBIA COLLECTION	RED/BROWN	MODULAR 2 1/4" (H) X 7 5/8" (L) X 3 5/8" (D)
	CMU-1	ARCHITECTURAL BLOCK	SHOULDICE DESIGNER STONE	LATTE	7 5/8"(H) X 15 5/8" (L) X 3 5/8" (D)
	CMU-2	ARCHITECTURAL BLOCK	SHOULDICE DESIGNER STONE	LATTE	7 5/8"(H) X 15 5/8" (L) X 3 5/8" (D)
	CMU-3	ARCHITECTURAL BLOCK	SHOULDICE DESIGNER STONE	LATTE	3 5/8"(H) X 23 5/8" (L) X 3 5/8" (D)
	CMU-4	ARCHITECTURAL BLOCK	SHOULDICE DESIGNER STONE	LATTE	3 5/8"(H) X 23 5/8" (L) X 3 5/8" (D)
	CMU-5	ARCHITECTURAL BLOCK	SHOULDICE DESIGNER STONE	LATTE	2 1/4"(H) X 7 5/8" (L) X 3 5/8" (D)
PACKAGE 3	B-1	BRICK VENEER	GLEN GERY - BEN FRANKLIN MODULAR	RED/BROWN	MODULAR 2 1/4" (H) X 7 5/8" (L) X 3 5/8" (D)
	CMU-1	ARCHITECTURAL BLOCK	BETCO SUPREME	ANTIQUÉ WHITE	7 5/8"(H) X 15 5/8" (L) X 3 5/8" (D)
	CMU-2	ARCHITECTURAL BLOCK	BETCO SUPREME	ANTIQUÉ WHITE	7 5/8"(H) X 15 5/8" (L) X 3 5/8" (D)
	CMU-3	ARCHITECTURAL BLOCK	BETCO SUPREME	ANTIQUÉ WHITE	3 5/8"(H) X 23 5/8" (L) X 3 5/8" (D)
	CMU-4	ARCHITECTURAL BLOCK	BETCO SUPREME	ANTIQUÉ WHITE	3 5/8"(H) X 23 5/8" (L) X 3 5/8" (D)
	CMU-5	ARCHITECTURAL BLOCK	BETCO SUPREME	ANTIQUÉ WHITE	2 1/4"(H) X 7 5/8" (L) X 3 5/8" (D)

① MASONRY LEGEND - SK7.5  
1/8" = 1'-0" SHEET A2.01



② WEST ELEVATION - SK7.5  
1/8" = 1'-0" DETAIL 2/A2.01

 <b>Bignell Watkins Hasser</b> ARCHITECTS P.C. Annapolis, MD	<b>ADDENDUM 7 - SK7.5</b>		Project No: <b>17032</b>
	<b>PRINCE FREDERICK VOLUNTEER FIRE STATION</b>		Date: <b>5/15/19</b>
			SCALE: <b>1/8" = 1'-0"</b>
			<b>SK-7.5</b>

CONTRACTOR'S LEGAL BUSINESS NAME: \_\_\_\_\_

AUTHORIZED SIGNATURE: \_\_\_\_\_ DATE: \_\_\_\_\_

# ADDENDUM NO. 7

## SECTION 12 22 00

### BLACKOUT WINDOW SHADES

#### PART 1 GENERAL

##### 1.01 RELATED SECTIONS

- A. Drawings and general provisions of Contract, including General and Supplementary Conditions and Division 1 Specification sections, apply to work of this section.

##### 1.02 DESCRIPTION OF WORK

- A. Furnish and install window treatment at each fixed and single-hung exterior window in bunk rooms.

##### 1.03 SUBMITTALS

- A. Submit for approval shop drawings and product data.
  - 1. Location, size
- B. Samples:
  - 1. Two sets of 6" square (min) material swatches with full range of available colors and patterns.
  - 2. Two sets of 6" square (min.) of blackout material swatches

##### 1.04 QUALITY ASSURANCE

- A. Comply with governing codes and regulations. Provide products of acceptable manufacturers which have been in satisfactory use in similar service for three years. Use experienced installers. Deliver, handle and store materials in accordance with manufacturer's instructions.
- B. Furnish blackout shades, shade components, mounting hardware and operating mechanisms from one manufacturer.

##### 1.05 DELIVERY AND STORAGE

- A. Deliver shades wrapped and packaged in manufacturer's original packaging.
- B. Product should be handled and stored in clean, dry area to prevent damage to materials, finishes and operating mechanisms.

##### 1.06 WARRANTY

- A. Warrant installed window shades units for five years.

BLACKOUT WINDOW SHADE

12 22 00-1

CONTRACTOR'S LEGAL BUSINESS NAME: \_\_\_\_\_

AUTHORIZED SIGNATURE: \_\_\_\_\_ DATE: \_\_\_\_\_



## **ADDENDUM NO. 7**

### **PART 2 PRODUCTS**

#### **2.01 MANUFACTURERS**

- A. Flat Roman window shading with blackout material (rear side only):
  - 1. Hunter Douglas: [www.hunterdouglas.com](http://www.hunterdouglas.com)
  - 2. Regal Drapes: [www.regaldrapes.com](http://www.regaldrapes.com)
  - 3. Approved Alternate

#### **2.02 WINDOW SHADES AND SHADE COMPONENTS**

- A. General: Shades shall be custom made to fit the openings indicated on the Drawings.
- B. Material: Shades are combination of fire retardant, 100% polyester fabric on front and fire retardant, 100% blackout material (white or ivory) on rear. All materials must pass NFPA 701 Small Scale Fire Test.
- C. Color: Fabric color and pattern to be selected by architect from full line of manufacturer colors and patterns. Price Groups 1 and 2 from Regal Drapes as Basis of design.
- D. Accessories:
  - 1. Aluminum Head Rail
  - 2. Aluminum Hem Bar
  - 3. Lifting/Rotation Mechanisms- continuous loop control with white beaded cord or silver metal bead chain
  - 4. Mounting Hardware- manufacturer's standard hidden brackets

#### **2.03 FABRICATION**

- A. Shade shall be Inside mounted and fabricated without sagging or distortion. Hangs flat when lowered, folds neatly to top in 6" interval folds when raised.
- B. Spacing tapes or rings shall not exceed 16" on center and be secured to the face fabric without the attachments showing.
- C. Side hems shall be double turned ¾" wide and blind stitched to lining.
- D. Bottom Hems shall be double turned 2" and blind stitched with aluminum hem bar inserted full width of bottom hem and stitched close.
- E. Blackout lining shall be equal to the width of the face fabric and shall be joined to the face fabric at the top. Bottom and sides shall be tacked to the body as required.
- F. For shades wider than the fabric width, full widths of the fabric must be centered with equal widths added to each side; no center seams are allowed. If the fabric is to be railroaded, special notes must be included in the submittals.
- G. Coordinating fabric covered, extruded aluminum headrail with integrated cord lock. Shade is concealed in headrail when raised for a full, unobstructed view.

**BLACKOUT WINDOW SHADE**

12 22 00-2

CONTRACTOR'S LEGAL BUSINESS NAME: \_\_\_\_\_

AUTHORIZED SIGNATURE: \_\_\_\_\_ DATE: \_\_\_\_\_

## ADDENDUM NO. 7

- H. Blind measurements shall be accurate to within + 1/8" or as recommended in writing by manufacturer

### PART 3 EXECUTION

#### 3.01 INSTALLATION

- A. Install materials and systems in accordance with manufacturer's instructions and approved submittals. Install materials and systems in proper relation with adjacent construction and with uniform appearance. Coordinate with work of other sections.
- B. Adjust curtains for smooth operation. ADEQUATE CLEARANCE shall be provided to permit unencumbered operation of shade and hardware
- C.. Restore damaged finishes and test for proper operation. Clean and protect work from damage.

END OF SECTION 12 22 00

BLACKOUT WINDOW SHADE

12 22 00-3

CONTRACTOR'S LEGAL BUSINESS NAME: \_\_\_\_\_

AUTHORIZED SIGNATURE: \_\_\_\_\_ DATE: \_\_\_\_\_