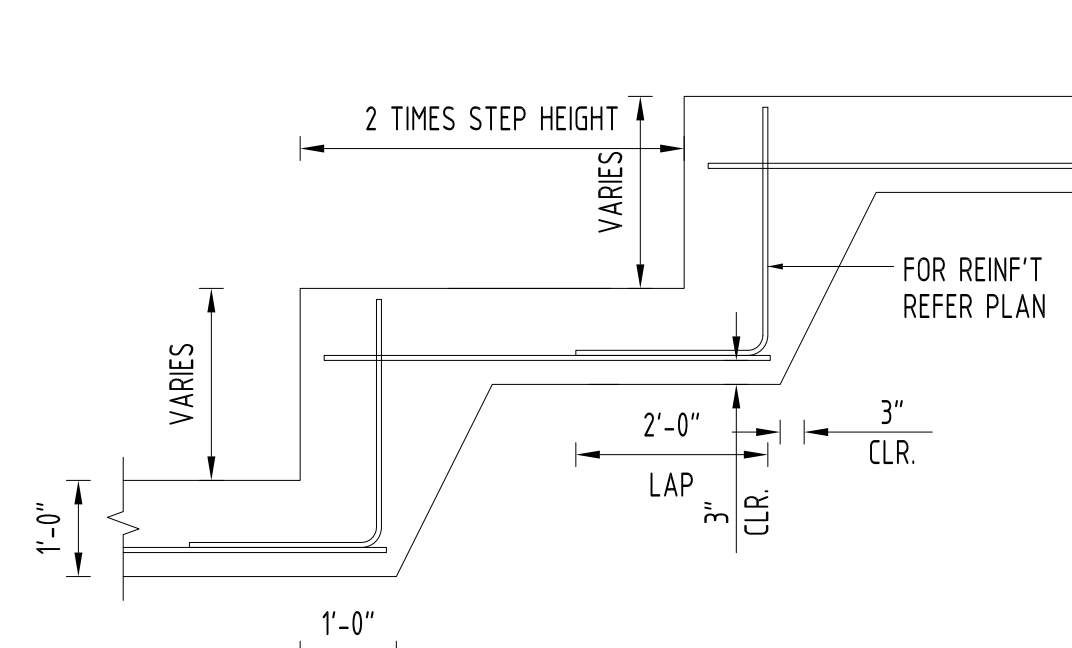
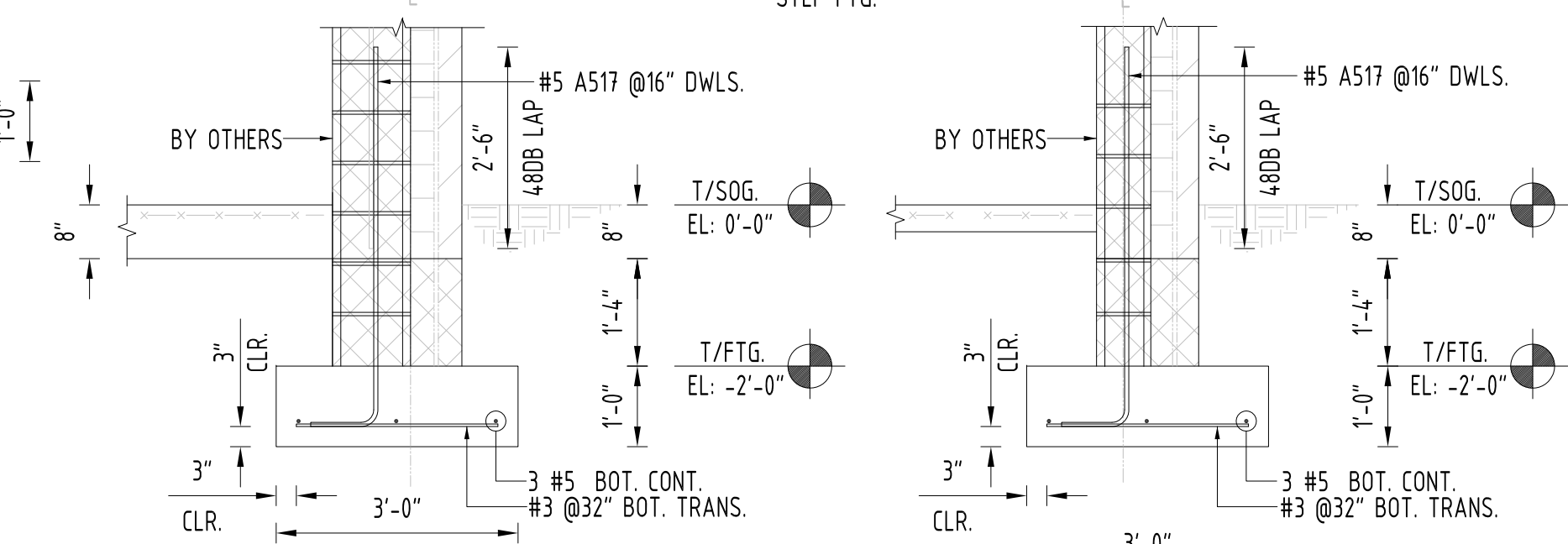


DETAILS OF FOUNDATIONS PLAN
 DWG. REF. :- S101 (DT.- 05/15/19)
 SCALE: 1/8"=1'-0"



TYPICAL STEP FOOTING
 DWG. REF. :- S201(DT.- 1/25/19)
 SCALE: 1/2"=1'-0"



SECTION-1
 DWG. REF. :- 2/53.01 (DT.- 1/25/19)
 SCALE: 1/2"=1'-0"

SECTION-2
 DWG. REF. :- 2/53.01 (DT.- 1/25/19)
 SCALE: 1/2"=1'-0"

LAP SCHEDULE

3000 PSI (FOR FOUNDATIONS)

| BAR# | LENGTHS | |
|------|---------|--------|
| | TOP | OTHERS |
| #3 | 2'-4" | 1'-10" |
| #4 | 3'-1" | 2'-5" |
| #5 | 3'-11" | 3'-0" |
| #6 | 4'-8" | 3'-7" |
| #7 | 6'-9" | 5'-3" |
| #8 | 7'-9" | 6'-0" |
| #9 | 8'-9" | 6'-9" |
| #10 | 9'-10" | 7'-7" |
| #11 | 10'-11" | 8'-5" |

ALL TOP BARS ARE DEFINED AS HORIZ BARS WITH MORE THAN 12" OF CONCRETE BELOW BARS.

FOR APPROVAL

- LEGEND:**
- CONT. - CONTINUOUS
 - REINFT - REINFORCEMENT
 - REF. - REFER
 - SIM. - SIMILAR
 - TYP. - TYPICAL
 - DWGS. - DRAWINGS
 - DT. - DATED
 - E.W. - EACH WAY
 - DWLS. - DWELS
 - FTG. - FOOTING
 - BOT. - BOTTOM
 - EL. - ELEVATION
 - COR. - CORNER
 - D/V. - DOWEL CUM VERTICAL
 - OPNG. - OPENING
 - E.F. - EACH FACE
 - SOG. - SLAB ON GRADE
 - I.F. - INNER FACE
 - O.F. - OUTER FACE
 - N.S. - NORTH SOUTH
 - E.W. - EAST WEST

ALL MATERIAL ON THIS DRAWING TO
ASTM A615
GRADE 60 BLACK U.N.O.

- NOTES:**
- USED 30"-0" STOCK LENGTH.
 - COVER NOTES:
 - FOOTINGS: 3" AND 2" TOP
 - ELEVATOR PIT WALLS = 2"
 - S.O.G. = 1"
- {A/E/C PLEASE VERIFY ALL DIMENSIONS} (AND/OR CLOUDED AREAS) SHOWN.

NOTE:- THE CONTRACTOR WILL NEED TO FIELD ADJUST TO SUIT. (TYP)

| | | | | | |
|----------|------|------------------|----------|------------|------------------|
| REV. No. | DATE | REV. DESCRIPTION | REV. No. | DATE | REV. DESCRIPTION |
| | | | 0 | 09-06-2019 | FOR APPROVAL |

rebar Detailing Services
 Division of Adept Contractor Services, LLC
 Member of American Society of Professional Estimators
 1802 N. Carson St. Suite 108, Carson City, Nevada 89701-1227
 Phone: 775-461-5009 www.adeptcontractorservices.com
 www.rebarDetailingservices.com

CLIENT: **ATLAS Construction Services Inc**
 21272, Great Mills Rd., Unit C, Lexington Park, MD 230653
 Tel: 301 862 5063, Fax: 301 475 1779

Project: PRINCE FREDERICK VOLUNTEER FIRE STATION
Title: DETAILS OF FOUNDATIONS
Location: 450 SOLOMONS ISLAND ROAD PRINCE FREDERICK, MD 20678
Designer: CENTURY ENGINEERING

| | | | |
|-----------------|-------------|---------------|------------------|
| DRAWN BY | DATE | JOB NO | SHEET NO. |
| RDS | 09-06-2019 | ---- | R1 |