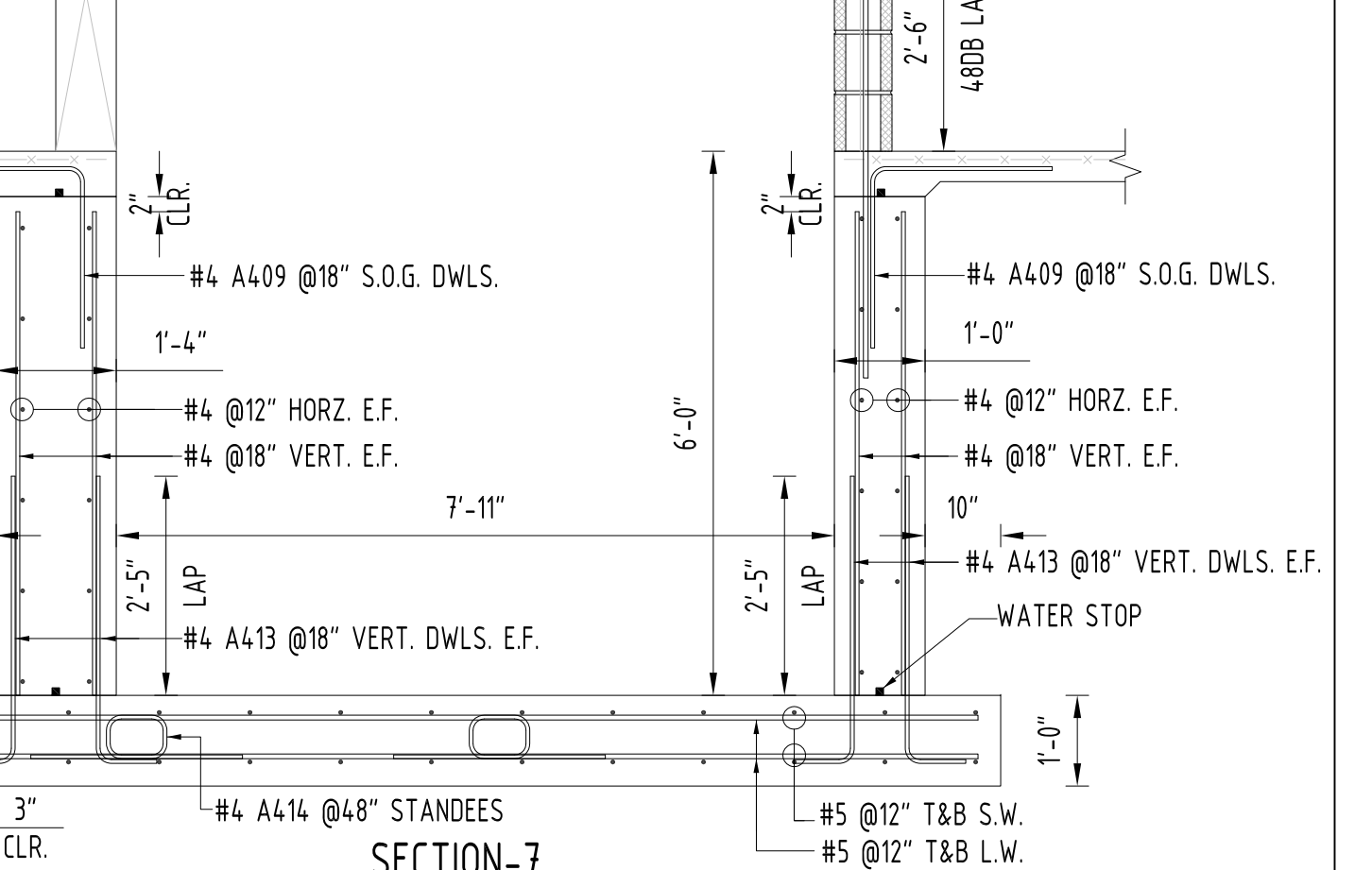
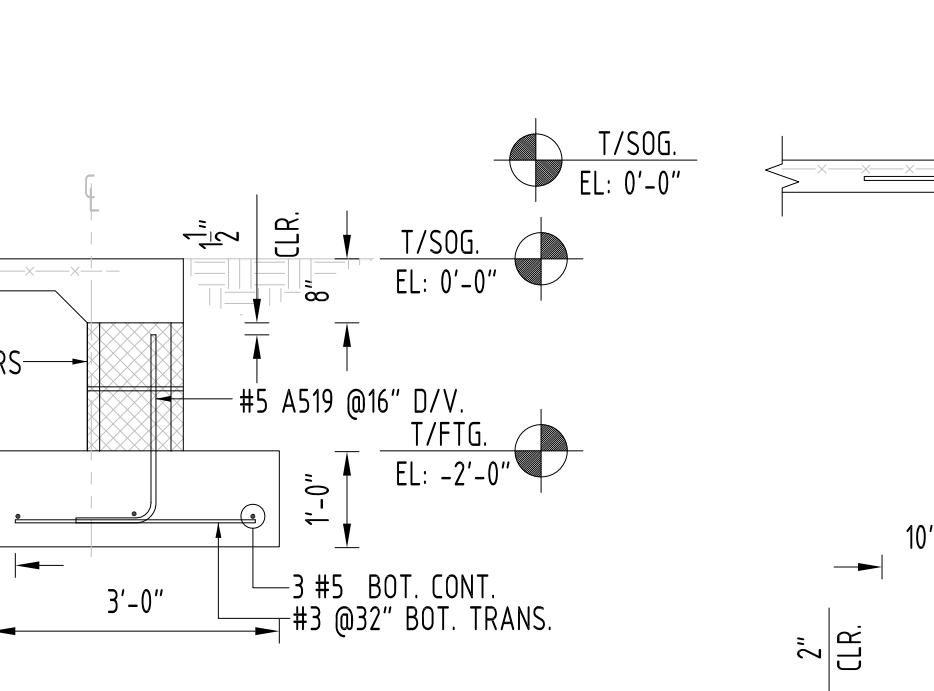
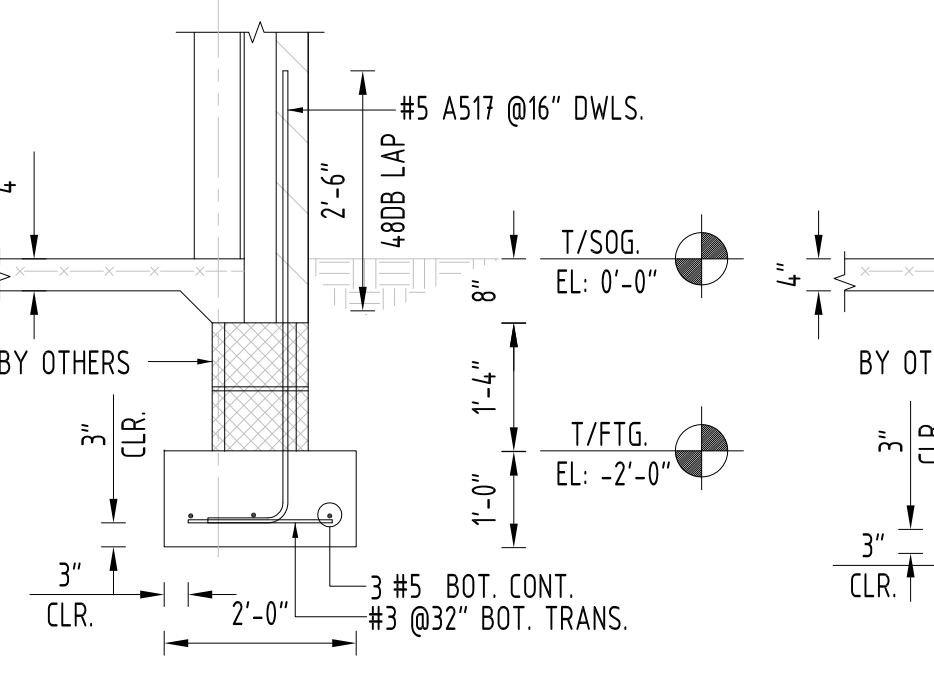
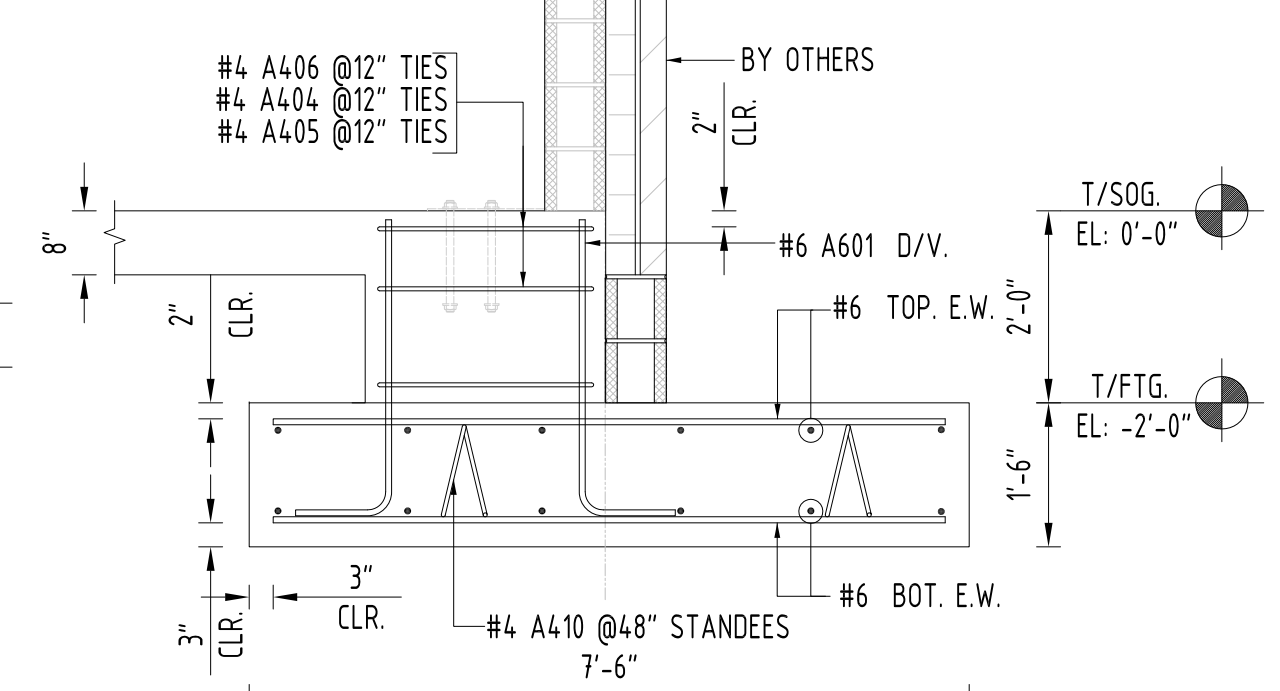
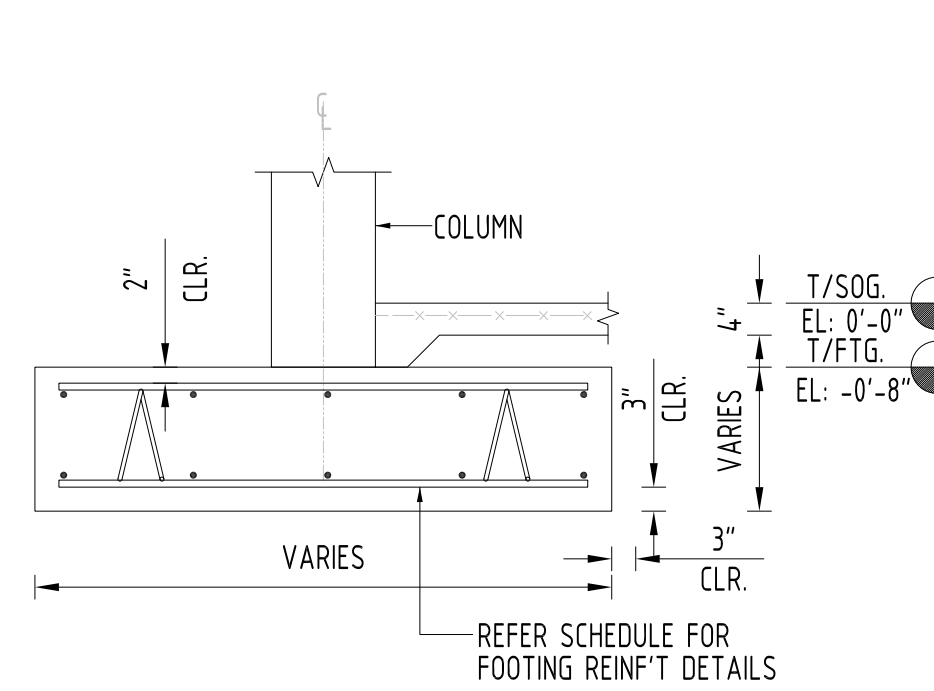
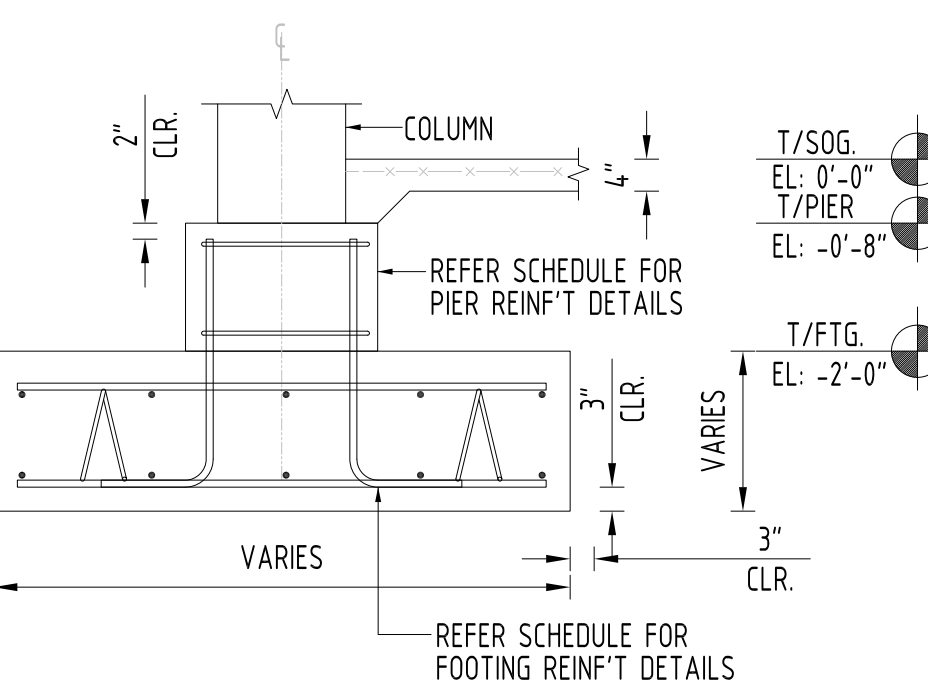
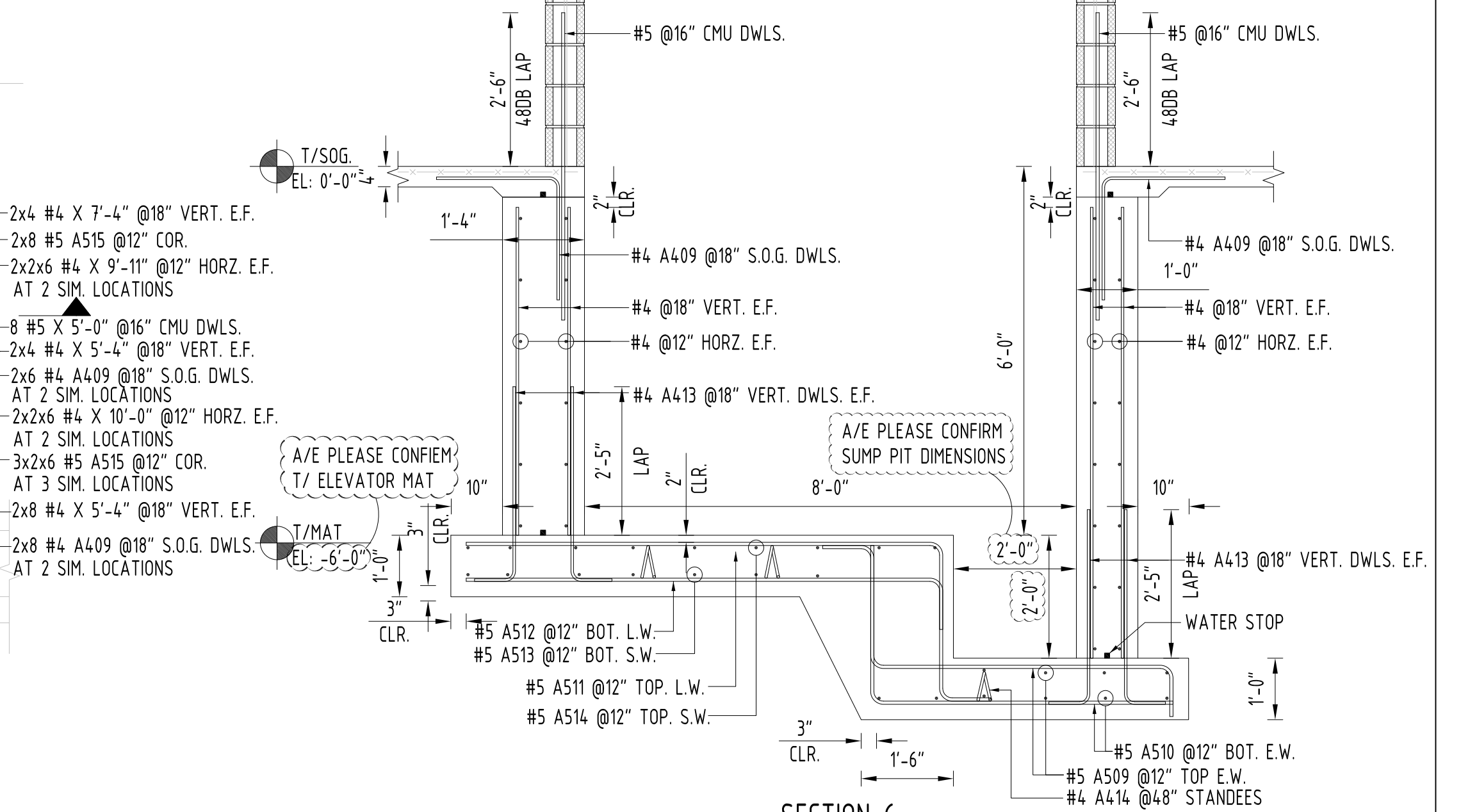
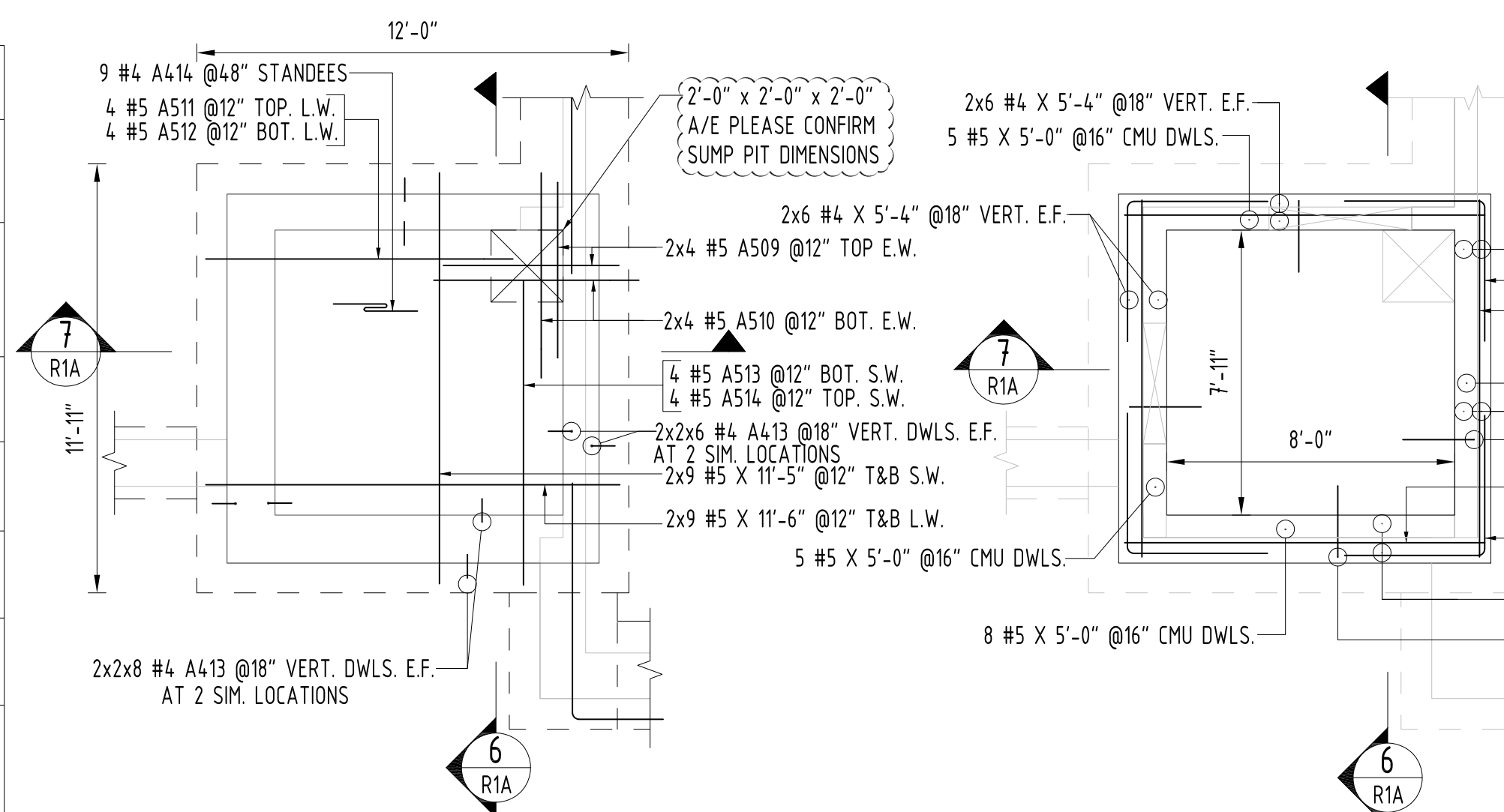


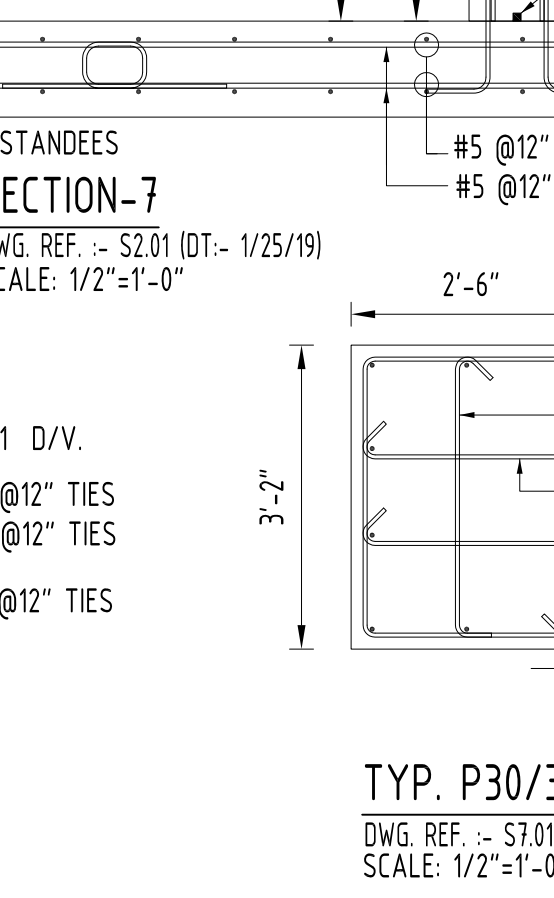
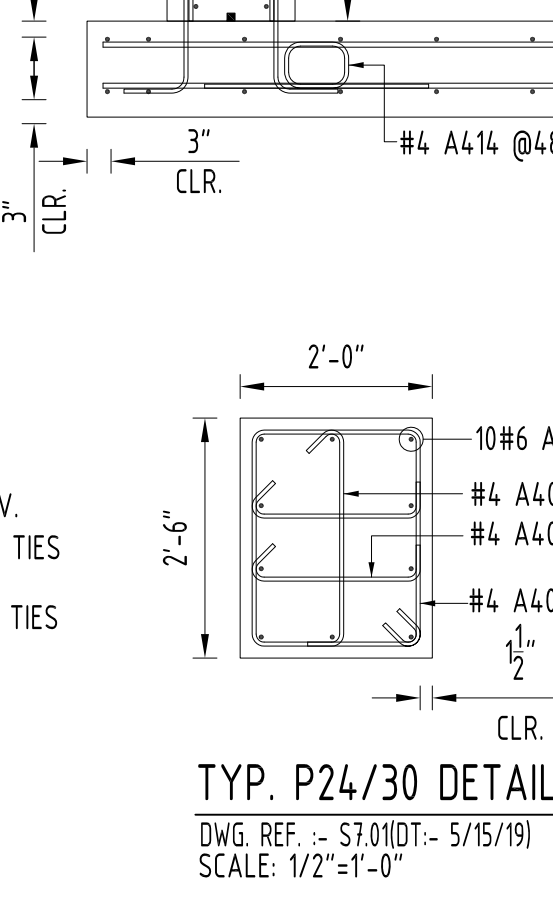
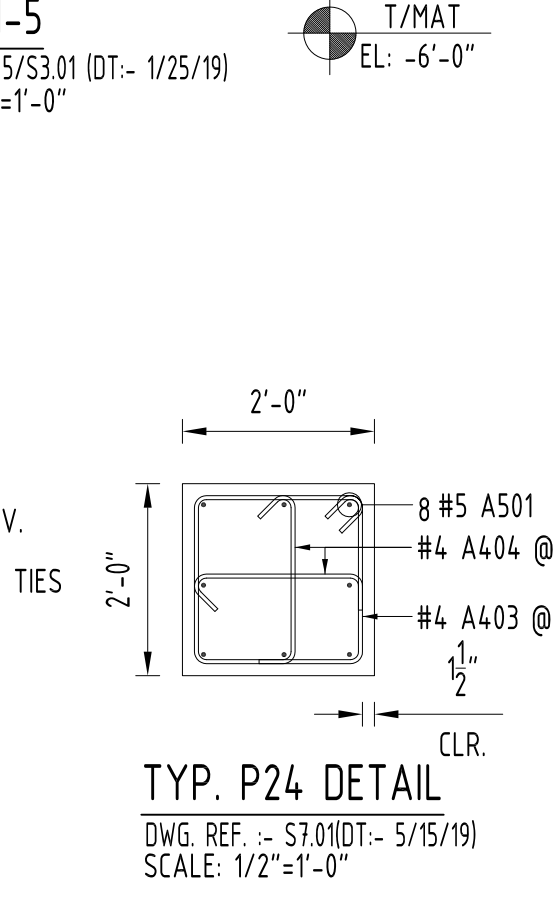
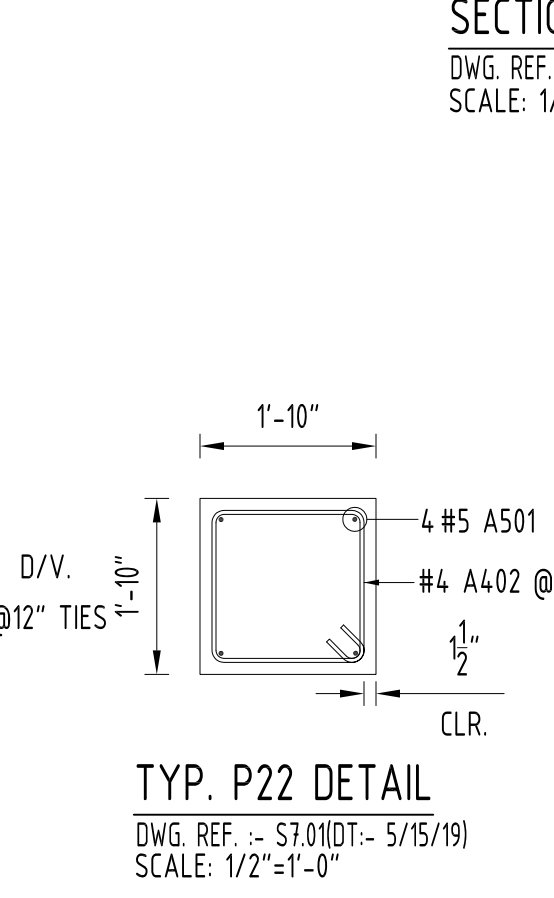
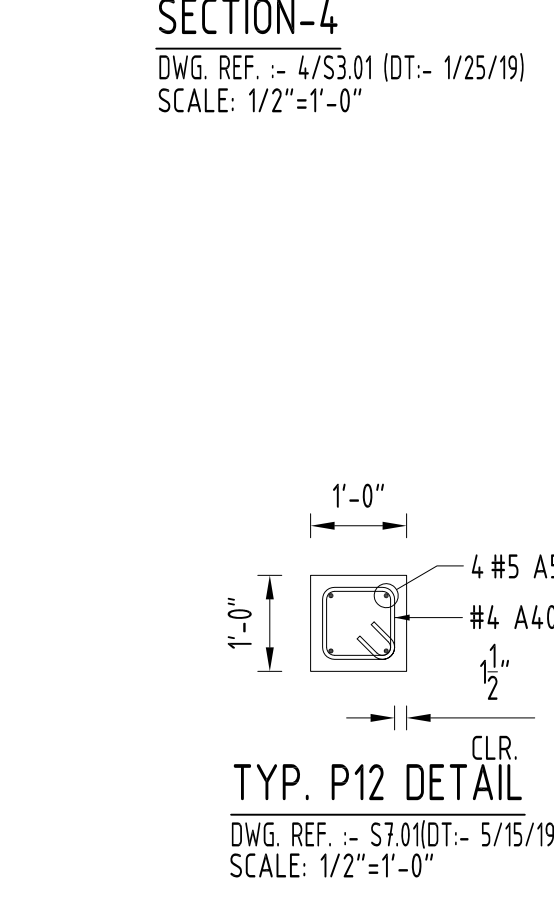
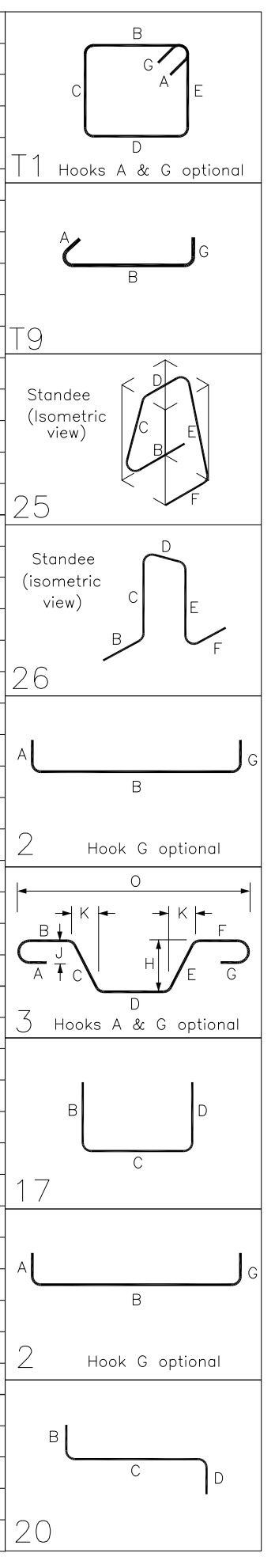
PAD FOOTINGS & PIER REINFORCEMENT SCHEDULE:

GRID LINE	FTG. MARK	QTY.	FTG. SIZE	T/FTG.	REINFORCEMENT	PIER MARK	QTY.	PIER SIZE	T/PIER	PIER REINFT
11A/1.2 & 11B/7	F30	2	3'-0"X3'-0"X1'-0"	EL.-(L-2'-0")	2x2x4 #5 X 2'-6" BOT. E.W.	P12	2	12"X12"	EL.-(L-0'-8")	2x4 #5 A501 D/V. 2x2 #4 A401 @12" TIES
A/7, A/9.2, A/10, C/L, C/S, C/6, C/7, C/3/10, D/3, F/3, F.2/1 & H.1/1	F40	12	4'-0"X4'-0"X1'-0"	EL.-(L-2'-0")	13x2x4 #5 X 3'-6" BOT. E.W.	P22	12	22"X22"	EL.-(L-0'-8")	12x4 #5 A501 D/V. 12x2 #4 A402 @12" TIES
E/10		1				P24	1	24"X24"	EL.-(L-0'-8")	8 #5 A501 D/V. 2 #4 A403 @12" TIES 2x2 #4 A404 @12" TIES
A/7.8 & C.9/10	F50	2				P22	2	22"X22"	EL.-(L-0'-8")	2x4 #5 A501 D/V. 2x2 #4 A402 @12" TIES
D/4		1	5'-0"X5'-0"X1'-0"	EL.-(L-0'-8")	3x2x7 #4 X 4'-6" BOT. E.W.					
D/6, F/4 & F/6	F60	3	6'-0"X6'-0"X1'-2"	EL.-(L-0'-8")	3x2x7 #5 X 5'-6" BOT. E.W.					
L/2/2, L/2, M/2, M.8/2, L/2/8, L/8, M/8 & M.8/8	F76	8	7'-6"X7'-6"X1'-6"	EL.-(L-2'-0")	8x2x7 #6 X 7'-0" TOP. E.W. 8x2x7 #6 X 7'-0" BOT. E.W. 8x4 #4 A410 @48" STANDEES	P24/30	8	24"X30"	EL.-(L-0'-0")	8x10 #6 A601 D/V. 8x3 #4 A405 @12" TIES 8x2x3 #4 A404 @12" TIES 8x3 #4 A406 @12" TIES
C.9/7.6, D/5, F/5 & F/7.6	F80	4	8'-0"X8'-0"X1'-8"	EL.-(L-2'-0")	4x2x9 #7 X 7'-6" TOP. E.W. 4x2x9 #7 X 7'-6" BOT. E.W. 4x4 #4 A411 @48" STANDEES					
J/2, K/2, J/8 & K/8	F100	4	10'-0"X10'-0"X2'-0"	EL.-(L-2'-0")	4x2x9 #7 X 9'-6" TOP. E.W. 4x2x9 #7 X 9'-6" BOT. E.W. 4x6 #4 A412 @48" STANDEES	930/38	4	30"X38"	EL.-(L-0'-0")	4x10 #7 A701 D/V. 4x2 #4 A407 @12" TIES 4x2 #4 A408 @12" TIES 4x2x2 #4 A406 @12" TIES



BARBENDING SCHEDULE

Release Number:	Qty	Size	Total Length	Type	A'	B'	C'	D'	E'	F'	G'	H'	I'	J'	K'	L'	M'	N'
101--(PAD FTG. & PIERS)																		
102--(CONT. FTG.)																		
103--(ELEVATOR PIT)																		
104--(SLAB ON GRADE)																		



LAP SCHEDULE

3000 PSI (FOR FOUNDATIONS)

BAR#	TOP	OTHERS
#3	2'-4"	1'-10"
#4	3'-1"	2'-5"
#5	3'-11"	3'-0"
#6	4'-8"	3'-7"
#7	6'-9"	5'-3"
#8	7'-9"	6'-0"
#9	8'-9"	6'-9"
#10	9'-10"	7'-7"
#11	10'-11"	8'-5"

ALL TOP BARS ARE DEFINED AS HORIZ BARS WITH MORE THAN 12" OF CONCRETE BELOW BARS.

FOR APPROVAL

LEGEND:

CONT. REINFT	- CONTINUOUS
REF. SIM.	- REINFORCEMENT
TYP. DWGS.	- REFER
DT.	- SIMILAR
E.W. DWLS.	- TYPICAL
FTG.	- DRAWINGS
BOT. EL.	- DATED
COR. D/V. OPNG.	- EACH WAY
E.F. I.F. O.F.	- DOWELS
N.S. E.W.	- FOOTING
	- BOTTOM
	- ELEVATION
	- CORNER
	- DOWEL CUM VERTICAL
	- OPENING
	- EACH FACE
	- SLAB ON GRADE
	- INNER FACE
	- OUTER FACE
	- NORTH SOUTH
	- EAST WEST

ALL MATERIAL ON THIS DRAWING TO ASTM A615 GRADE 60 BLACK U.N.O.

NOTES:
1. USED 30'-0" STOCK LENGTH.
2. COVER NOTES:
a) FOOTINGS: 3" AND 2" TOP
b) ELEVATOR PIT WALLS = 2"
c) S.O.G. = 1"
(A/E/C PLEASE VERIFY ALL DIMENSIONS!) (AND/OR CLOUDED AREAS) SHOWN.

NOTE:
THE CONTRACTOR WILL NEED TO FIELD ADJUST TO SUIT. (TYP)

febar Detailing Services
 Division of Adept Contractor Services, LLC
 Member of American Society of Professional Estimators
 1802 N. Carson St. Suite 108, Carson City, Nevada 89701-1227
 Phone: 775-461-5009 www.adeptcontractorservices.com
 www.febar.com www.rebar.com

REV. No.	DATE	REV. DESCRIPTION	REV. No.	DATE	REV. DESCRIPTION

CLIENT:
ATLAS Construction Services Inc
 21272, Great Mills Rd., Unit C, Lexington Park, MD 230653
 Tel: 301 862 5063, Fax: 301 475 1779

Project: PRINCE FREDERICK VOLUNTEER FIRE STATION
Title: DETAILS OF PAD FTG. & ELEVATOR PIT
Location: 450 SOLOMONS ISLAND ROAD PRINCE FREDERICK, MD 20678
Designer: CENTURY ENGINEERING

DRAWN BY: RDS	DATE: 09-06-2019	JOB NO: ---	SHEET NO.: R1A
----------------------	-------------------------	--------------------	-----------------------