



Timothy Hayden, Director  
Roberta L. Baker, Procurement Officer

**CALVERT COUNTY  
DEPARTMENT OF FINANCE & BUDGET  
PROCUREMENT OFFICE**

150 Main Street, Suite 107  
Prince Frederick, Maryland 20678  
410-535-1600 • 301-855-1243  
www.calvertcountymd.gov

*Board of Commissioners*  
Earl F. Hance  
Mike Hart  
Thomas E. Hutchins  
Kelly D. McConkey  
Steven R. Weems

October 13, 2020

**ITB 2020-108  
CONSTRUCTION OF PROGRAM SPACE  
CALVERT COUNTY DETENTION CENTER  
BARSTOW, CALVERT COUNTY, MARYLAND**

**QUESTIONS AND ANSWERS/CLARIFICATION NO. 2**

Following are questions and answers/clarification for the above-referenced Request for Proposal. Acknowledge receipt of this document by executing the signature block provided on each page. **This completed and signed document should be included with your bid.** Failure to do so may subject bidder to disqualification.

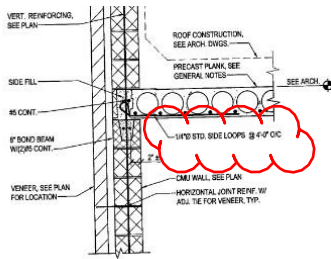
1. On drawing D101 Phasing Note 1 refers to ....Provide Man-Gate with locking device. Coordinate w/ CCDC. For bidding purposes will this be a padlock type or a type that will need power and or communication to it. **Refer to Specification Section 013514-2 Security Fences & Gates, Part 2 – Products, 2.1.E.2 Padlocks shall be provided with protection plates.**
2. On drawing D101 Phasing Note 5 refers to Remove all existing gravels to expose soils for excavation of foundation. Store gravels outside of secured area for re installation upon completion of building addition. Will there be an area on site to store this gravel or will it have to be removed from site and brought back when ready to use? **The CCDC will provide a location for temporary on-site storage of removed gravel. The gravel will be placed back around the new building upon completion. Excess grave will be placed on site as directed by CCDC.**
3. On drawing A101 is it safe to assume that the 10 in office 101 and 103 should be labeled as 11's? **Correct, the 10 should be labeled 11. Office's 101 and 103 will both have restraint plates bolted to grout filled CMU walls with detention rings, located where presently noted as item 10, on the plan.**
4. Specification section 13300 Submittal Procedures 1.4 Shop Drawings has very specific requirements for shop drawings. Most spec sections require Shop Drawings. Is it the project intention for all 100+ shop drawings to be professional drawn or will Manufacturing cutsheet fulfill the 1.4 requirements? **Manufacturers standard format for shop drawings will be acceptable. Provide drawings where dimensioning and coordination with other work is required.**

CONTRACTOR'S LEGAL BUSINESS NAME: \_\_\_\_\_

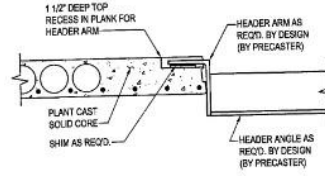
AUTHORIZED SIGNATURE: \_\_\_\_\_ DATE: \_\_\_\_\_

Mailing Address: 175 Main Street, Prince Frederick, Maryland 20678  
Maryland Relay for Impaired Hearing or Speech: 1-800-735-2258

5. Section cuts 2 and 7 on S202.



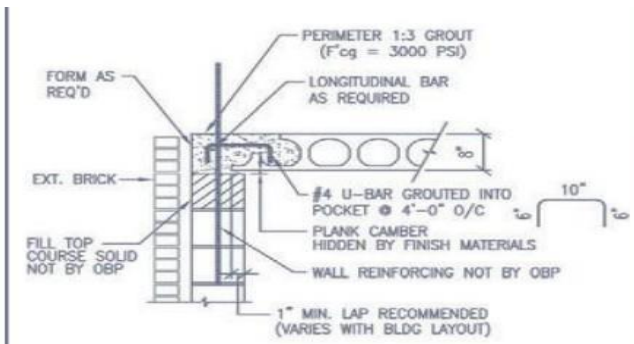
2 SECTION  
 SCALE: 3/4" = 1'-0"



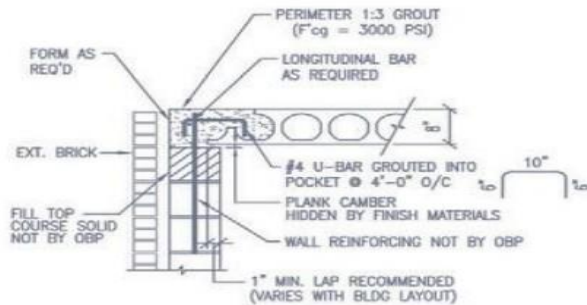
RECESSED HEADER ARM  
 7 DETAIL  
 SCALE: 3/4" = 1'-0"

Oldcastle has stated they will not add this bar but their standard details D21 & D22 which show a u-bar connection. Will this be acceptable? **This is acceptable.**

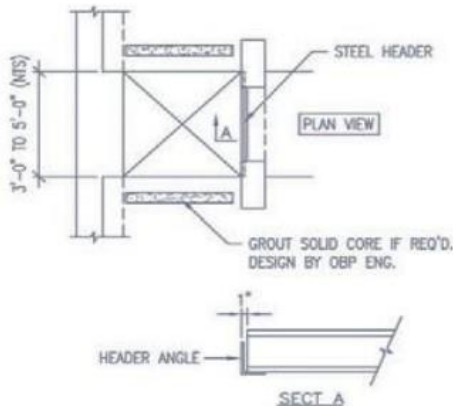
For section 7 Oldcastle do not recess their planks for the headers and this would be excluded from the scope, please reference D123 & D124 Will this be acceptable? **This is acceptable.**



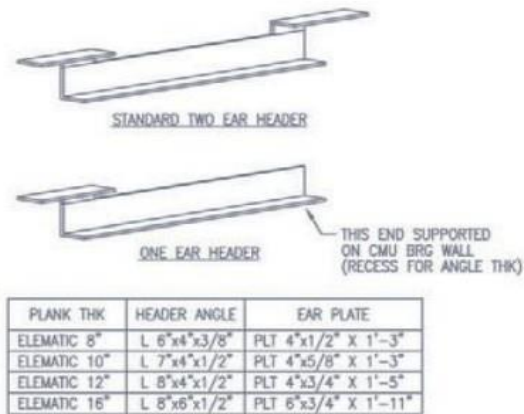
D21.0 Exterior Side Lap



D22.0 Exterior Side Lap (ROOF)



D123.0 Header Support at Large Opening



D124.0 Plank Header Types

CONTRACTOR'S LEGAL BUSINESS NAME: \_\_\_\_\_

AUTHORIZED SIGNATURE: \_\_\_\_\_ DATE: \_\_\_\_\_

6. The specifications (section 081113) and drawings door schedule indicate that the door thickness is 1-3/4" instead of the standard 2" thickness for detention door. Do these openings need to be detention grade openings or is standard hollow metal acceptable? **The use of 1 3/4" hollow metal doors at the gages specified is acceptable for the classrooms and offices.**
  
7. Specification section 087100, 2.10.A.2.a is unclear as to weather the new construction is to match the existing master key system OR if the entire existing system is to be re-keyed to match the new keying system. Please clarify. If the existing system needs to be rekeyed, please provide all of the counts quantities and types of cylinders/locks that need to be re-keyed. **The door entering the new unit from the corridor shall have a magnetic lock, connected to the Post Officer Station, where the release is to be located. The new doors shall be keyed to the existing mater key system.**

CONTRACTOR'S LEGAL BUSINESS NAME: \_\_\_\_\_

AUTHORIZED SIGNATURE: \_\_\_\_\_ DATE: \_\_\_\_\_